



Powered by Intel® Alder Lake-S platform

### ■ Features

- 21.5" Fanless panel PC equipped with 12th Gen Intel® Alder Lake S series Desktop Platform
- Anti-glare & anti-UV 10-point PCAP touchscreen, and IP65 compliant front panel
- HDMI 2.0 display output
- One PCIe Gen 4x16 slot, one M.2 M key & one M.2 E key expansion slots
- Support Gloved and Wet Hand Operation
- Newly Designed Panel Mount Kit
- New Graphical BIOS Interface

### ■ Specifications

#### Display

<b>LCD Display</b>	21.5" (16:9)
<b>Resolution</b>	1920 (W) x 1080 (H)
<b>Brightness</b>	350 cd/m <sup>2</sup>
<b>Contrast Ratio</b>	1000:1
<b>LCD Color</b>	16.7M
<b>Pixel Pitch (mm)</b>	0.3 x 0.3
<b>Viewing Angle (H-V)</b>	170°/160°
<b>Backlight MTBF</b>	50000 hours
<b>Touchscreen</b>	Multi-point projected capacitive type Surface hardness: ≥7H
<b>Touch Controller</b>	Projected capacitive type: EETI 80

#### System

<b>CPU</b>	12th Gen Intel® Core™ i9/i7/i5/i3 and Pentium® Processor (LGA1700)
<b>Chipset</b>	Intel® H610
<b>Graphics Engine</b>	New Intel® Xe Graphics architecture with SRIOV, Genlock
<b>Memory</b>	Two 260-pin 3200 MHz dual-Channel DDR4 SO-DIMM (max. 64GB)
<b>Storage</b>	1 x 2.5" SATA HDD bay
<b>Thermal Solution</b>	Smart fan (2 x CPU fan, 2 x System fan)
<b>TPM</b>	Intel® Platform Trust Technology
<b>Watchdog Timer</b>	Software Programmable Support 1~255 sec. system reset

#### I/O Connector

<b>Display Output</b>	1 x HDMI 2.0
<b>Ethernet</b>	LAN1: Intel® I225 + LAN2: Intel® I225
<b>I/O Ports,</b>	1 x HDMI 2.0
<b>Switches and Buttons</b>	2 x 2.5GbE RJ45
	2 x USB 2.0 (Type-A)
	2 x USB 3.2 Gen1 (Type-A) (5Gb/s)
	2 x USB 3.2 Gen2 (Type-A) (10Gb/s)
	1 x RS-232/422/485 (RS-485 support AFC)
	4 x RS-232
	1 x AC input
	1 x Power switch
	1 x Clear CMOS button
	1 x Reset button
	1 x AT/ATX switch

#### Expansion

<b>Expansion</b>	1 x PCIe Gen4 x 16 slot with x16 Signal
	1 x M.2 E-Key 2230 (PCIe Gen3 x1 + CNVio + USB 2.0)
	1 x M.2 M Key 2242/2280 NVMe (PCIe Gen3 x 4)

#### Environment

<b>Operating Temperature (with air flow)</b>	-10°C ~ 50°C
<b>Storage Temperature</b>	-20°C ~ 60°C
<b>Humidity</b>	10% ~ 95%@40°C, non-condensing
<b>IP Level</b>	IP 65 compliant front panel

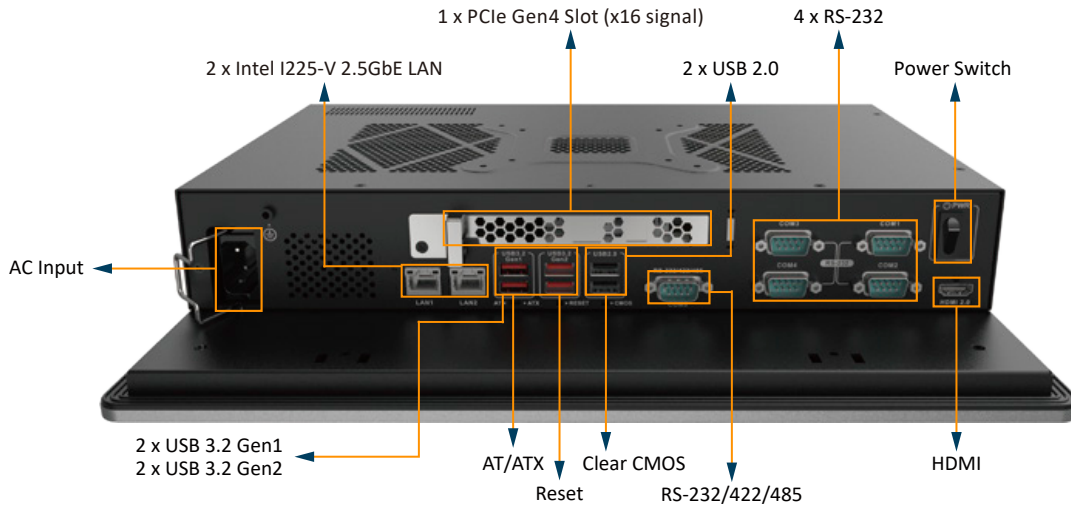
#### Power

<b>Power Supply</b>	250W AC input ATX power supply - Input: 100V~240V AC, 47Hz-63Hz - Output (max.): 3.3V@6A, 5V@12A, 12V@17A, 12V@0.5A,+5Vsb@2A Support AT/ATX mode, ErP/EuP Compliant
---------------------	--

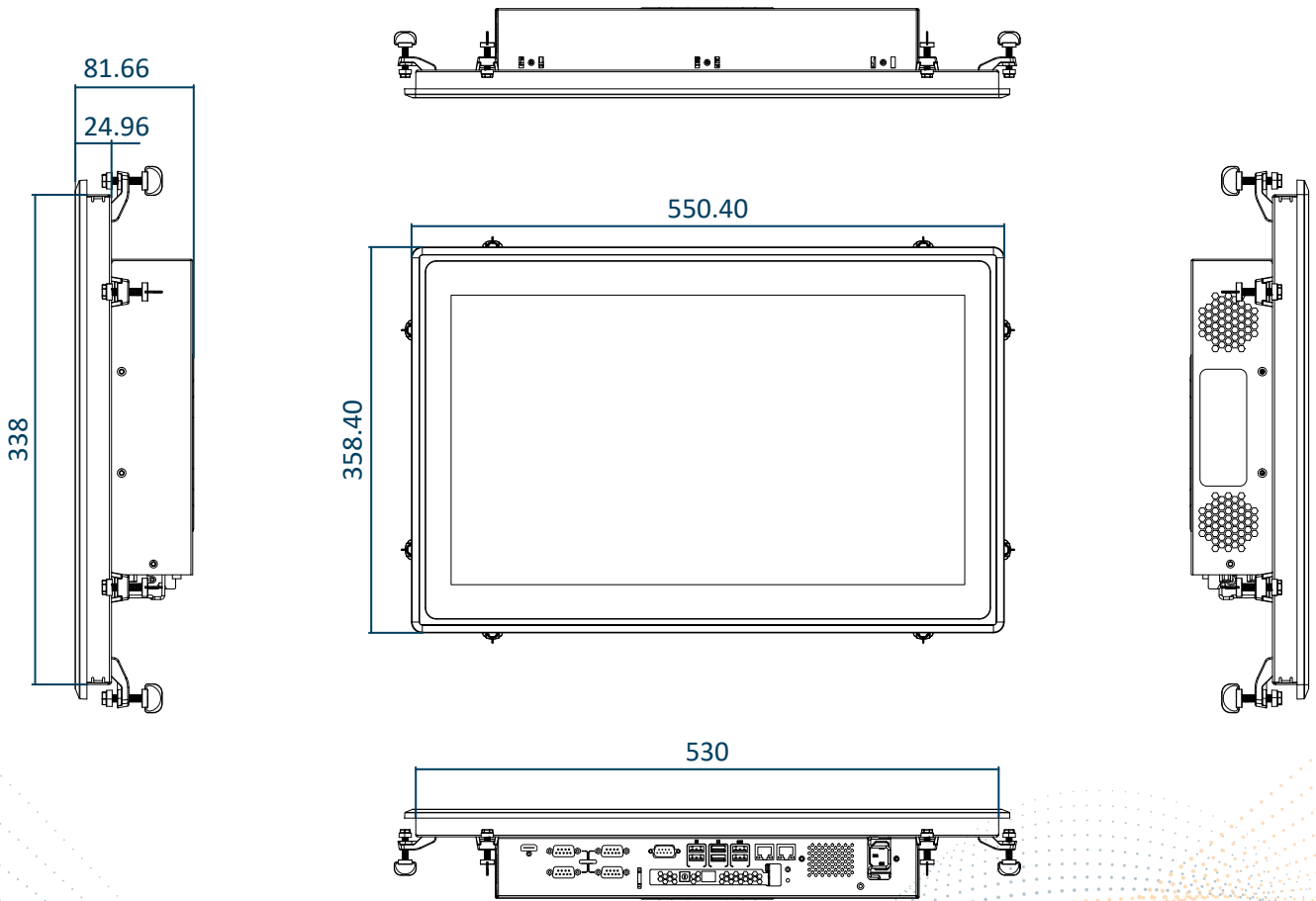
#### Physical

<b>Mounting</b>	VESA 100mm x 100mm Panel, Wall, Rack, Stand and Arm
<b>Construction Material</b>	Aluminum front cover and sheet metal rear cover
<b>Enclosure Color</b>	Black C
<b>Dimensions(W x H x D) (mm)</b>	550.40 x 358.40 x 81.66
<b>Net Weight</b>	8.205 kg

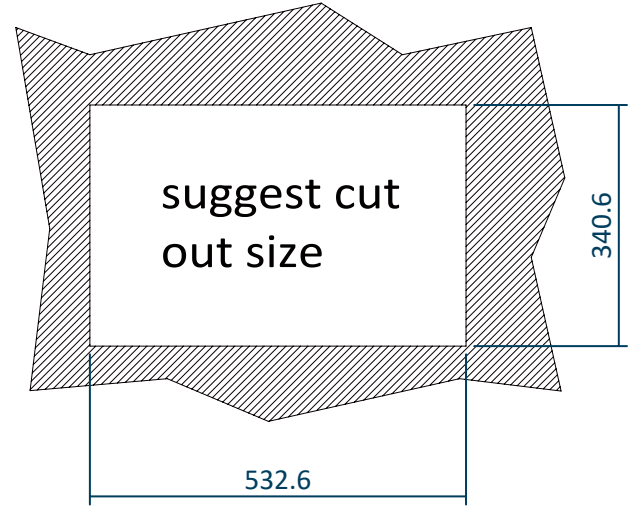
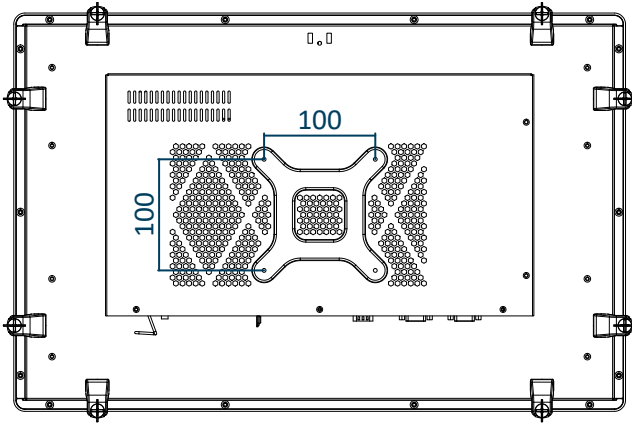
## Product I/O View



## Mechanical Drawings (Unit = mm)



## Mechanical Drawings (Unit = mm)



## Available Models

Model Number	Description
VTC-i212-215-TF-i7/ 8G-R10	21.5" 350 cd/m <sup>2</sup> 1920x1280 panel PC with 12th Intel® Core™ i7-12700 processor (25M cache, up to 4.90 GHz), TDP 65W, 8GB DDR4, HDMI output, 1 x PCIe Gen4 x16 slot, 1 x M.2 E key, 1 x M.2 M key, ATX/AT power supply, PCAP touchscreen with AG, R10
VTC-i212-215-TF-i5/ 8G-R10	21.5" 350 cd/m <sup>2</sup> 1920x1280 panel PC with 12th Intel® Core™ i5-12400 processor (18M cache, up to 4.40 GHz), TDP 65W, 8GB DDR4, HDMI output, 1 x PCIe Gen4 x16 slot, 1 x M.2 E key, 1 x M.2 M key, ATX/AT power supply, PCAP touchscreen with AG, R10
VTC-i212-215-TF-i3/ 8G-R10	21.5" 350 cd/m <sup>2</sup> 1920x1280 panel PC with 12th Intel® Core™ i3-12100 processor (12M cache, up to 4.30 GHz), TDP 60W, 8GB DDR4, HDMI output, 1 x PCIe Gen4 x16 slot, 1 x M.2 E key, 1 x M.2 M key, ATX/AT power supply, PCAP touchscreen with AG, R10
VTC-i212-215-TF-P/ 8G-R10	21.5" 350 cd/m <sup>2</sup> 1920x1280 panel PC with 12th Intel® Pentium® Gold G7400 processor (6M cache, 3.70 GHz), TDP 46W, 8GB DDR4, HDMI output, 1 x PCIe Gen4 x16 slot, 1 x M.2 E key, 1 x M.2 M key, ATX/AT power supply, PCAP touchscreen with AG, R10

VTC-i212-215-TF-05-04-2024