



### ■ Features

- 4G Cellular and WiFi IEEE802.b/g/n
- 5 Port 10/100TX Ethernet Ports
- Dual SIMs and WIFI/Ethernet as WAN
- 1xDI and 1xDO
- 1RS232 and 1 RS485 serial port
- SDK programmable
- Industrial grade for operating wide Temperature -25°C ~ 70°C

### ■ Description

XTR-D4G-WF-2305-X6W1 is a cost effective but multi-functional 4G router. It has rugged design with 9-36VDC power input and wide operating temperature between -25°C and 70°C.

Its 4G cellular has global certification, and WiFi is compliant to IEEE802.3b/g/n. Dual SIM is supported.

IPSEC, Open VPN, GRE, L2TP, PPTP, DMB PN and firewall are also supported for security enhancement.

In addition, it has SDK to support programming capability with C and C+ language. LGT-2305-X6W1 is perfect fit for your industrial application.

### ■ Specifications

#### Cellular Interface

<b>Number of Antennas</b>	2
<b>Connector</b>	SMA-K
<b>SIM</b>	2 Mini SUM(2FF)

#### Ethernet Interface

<b>Number of Ports</b>	5 x 10/100 Mbps 5LAN by default, can be configured as 1WAN+4LAN
<b>WAN Ports</b>	Support 802.3af&803.at PD feature on Ethernet Port (Optional)
<b>Magnet isolation protection</b>	1.5KV

#### WiFi Interface

<b>Number of Antennas</b>	2
<b>WiFi Interface</b>	RP-SMA-K
<b>Standards</b>	802.11b/g/n, support AP and Client modes
<b>Frequency</b>	bands 2.4GHz
<b>Security</b>	WEP, WPA, WPA2
<b>Encryption</b>	64/128 AES, TKIP
<b>Data Speed</b>	2x2 MIMO, 300Mbps

#### Analog Input

<b>Type</b>	1 x AI (can be configured as voltage type or current type)
<b>Voltage Input Range</b>	0-24VDC
<b>Current Input Range</b>	4~20mA (current type input requires external resistance, and finally measured by voltage)
<b>Socket form</b>	2 x 3-pin 3.5mm female socket
<b>Signal definition</b>	AI, AGND

#### Serial Port

<b>Type</b>	1 x RS232 + 1 x RS485
<b>Socket form</b>	2 x 4-pin 3.5mm female socket
<b>Signal definitions</b>	RS232: RXD, TXD, SGND, RTS, CTS RS485: Data+(A), Data-(B), GND

#### Other Interfaces

<b>GPS</b>	No. 1 x GPS interface (optional)
<b>USB</b>	1 x 480Mbps high-speed USB2.0 interface

## Digital I/O

<b>Type</b>	1 x DI + 1xDO, wet contact
<b>Isolation</b>	3KV
<b>Socket Form</b>	2 x 3 Pin 3.5mm female socket
<b>Level</b>	3~30VDC=HIGH, 0~1VDC=LOW
<b>Absolute maximum VDC</b>	30VDC (DI/DO)
<b>Absolute maximum ADC</b>	10mA (DI/DO)

## Software

<b>Number of Antennas</b>	2
<b>Connector</b>	SMA-K
<b>Network protocols</b>	PPP, PPPoE, TCP, UDP, DHCP, ICMP, NAT, HTTP, HTTPS, DNS, ARP, NTP, SMTP, Telnet, VLAN SSH2, DDNS, etc
<b>VPN Tunnel</b>	IPsec, OpenVPN, GRE
<b>Firewall</b>	DMZ, Anti-DOS, Filtering (IP/Domain Name/Mac Address), port mapping, access control
<b>Remote Management</b>	Web, CLI, SMS

## Environment

<b>Operating temperature</b>	-25°C ~ 75°C
<b>Storage temperature</b>	-40°C ~ 85°C
<b>Relative Humidity</b>	5 ~ 95% RH

## Others

<b>Reset button</b>	1xRST
<b>RTC</b>	External RTC clock, Backup energy storage capacitor can be maintained for 2 days
<b>LED indicators</b>	1xRUN, 1 xMDM, 1xUSR, 1xRSSI, 1xWiFi
<b>Built-in</b>	Watch-dog, Timer

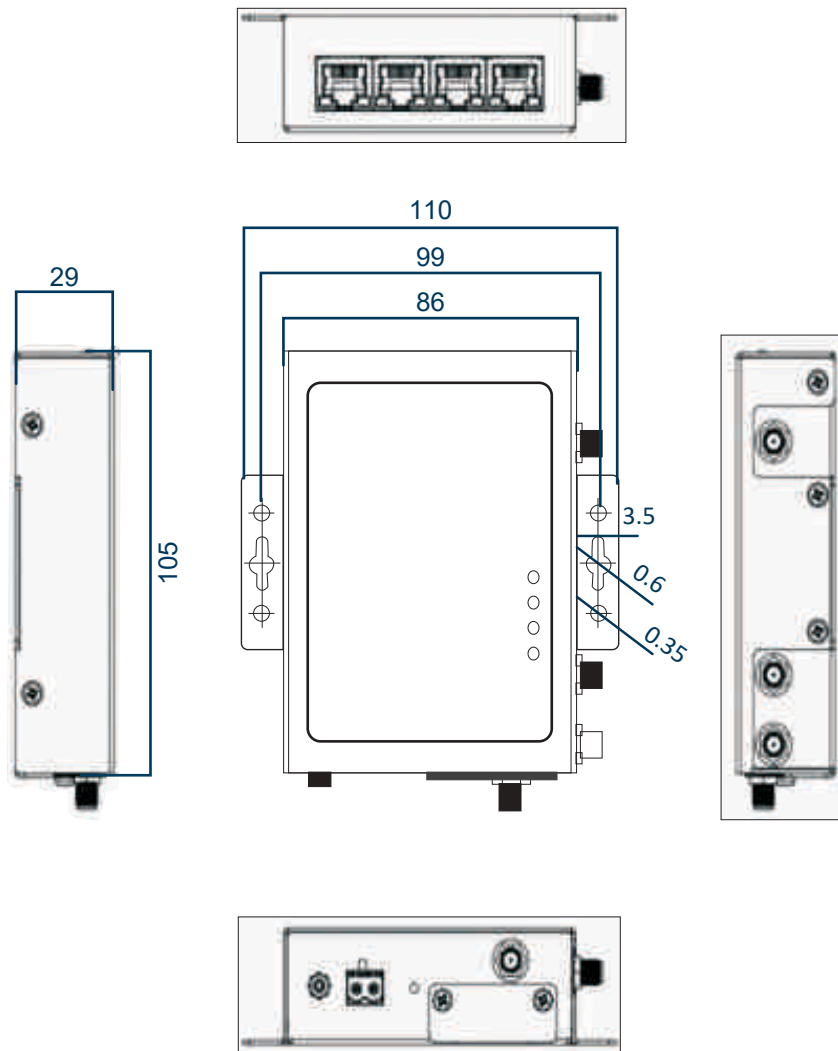
## Regulatory Approval

<b>Type</b>	1 x AI (can be configured as voltage type or current type)
<b>Voltage Input Range</b>	0-24VDC
<b>Environmental</b>	ROHS2.0, WEEE
<b>EMI</b>	EN55032: 2012/AC: 2013 (CE & RE) CLASS B
<b>EMS</b>	EN61000-4-2 (ESD) Contact Level 2 EN61000-4-3 (RS) Level 2 EN61000-4-4 (EFT) Level 2 EN61000-4-5 (Surge) Level 2 EN61000-4-6 (CS) Contact Level 2 EN61000-4-11 (DIP) Contact Level 2

## Physical

<b>Ingress Protection</b>	IP30
<b>Housing and Weight</b>	Plastic, 250g
<b>Dimension</b> (W x H x D) (mm)	29 x 105 x 86
<b>Installation</b>	Desktop, wall mounting, and 35mm din rail mounting

## Mechanical Drawings (Unit = mm)



## Ordering Codes

Model Number	Description
XTR-D4G-WF-2305-X6W1	5x 10/100T(x), 4G, WiFi Operating Temperature: -25°C ~ 75°C Antenna, cables and accessories are not included.

XTR-D4G-WF-2305-X6W1-15-04-2024