

15.6" TFT FanLess Touch Panel Computer with Intel® Elkhart Lake J6412 2.0GHz Quad Cores Processor



Specifications

Display

Screen Size	15.6" TFT LCD With LED Backlight
display color	250 nits
Resolution	262K
Viewing angle (H/V)	1920 x1080@ 60Hz
Pixel Pitch	170°/170°
Aspect ratio	0.17925 x 0.17925mm
Contrast ratio	16.9
Brightness	800:1
Response time	35ms

I/O

USB	2* USB3.2 (Gen1) 4* USB2.0
GPIO	1* 8bit GPIO
Serial Port	2* RS232/422/485 + 2* RS232
Display Port	1* HDMI2.0 (Max Resolution: 3840 x 2160@60Hz)
Ethernet	2* Intel® i225-V 2.5GbE
Power Input	1* Locking Jack 12V DC input
Power button	1* Power button
Speaker	2* 3W/8Ω

Power

AC version	100~240V AC-DC 60W power adapter or
DC version	12VDC with over current protection fuse
Power Consumption	27.5W

Touch Screen

Type	Projected capacitive
Active range	387.00 x 231.00mm ±0.3mm
Transparency	≥ 85%
Surface Hardness	≥ 6H(JIS-5400)
Glass haze value	≤ 3%

Features

- 15.6" 250 nits high brightness TFT LCD with LED backlight
- 10-points Multi Capacitive Touch
- Cable less, Streamlined enclosure for highly efficient heat dissipation. Enclosed in robust aluminum casings
- Edge-to-edge narrow bezel design and Fanless cooling system
- Design for easy Wall mount, Panel Mount, VESA Mount installation
- A true Flat, easy-to-clean front surface with edge-to-edge design
- USB2.0 Support Lock Device
- Front IP65 for protection against water and dust
- 9-28V DC-input Support, with EOS, OVP design
- Support TPM2.0

System

Processor	Intel® Elkhart Lake J6412 2.0GHz/QC processor
Memory	DDR4-3200MHz SO-DIMM up to 32GB 128MB SPI Flash ROM BIOS
Watchdog Timer	256 levels, 0~255 sec.
OS Support	OS Support Windows 10/ 11 / Linux (Option)

Storage

- 1* 2.5" SATA bay
- 1* M.2 M-key (2242/2280, SATA/NVMe)

Expansion

- 1* M.2 E-key (2230 for WIFI/BT Module)
- 1* M.2 B-key (3042/3052 for 4G/5G Module)

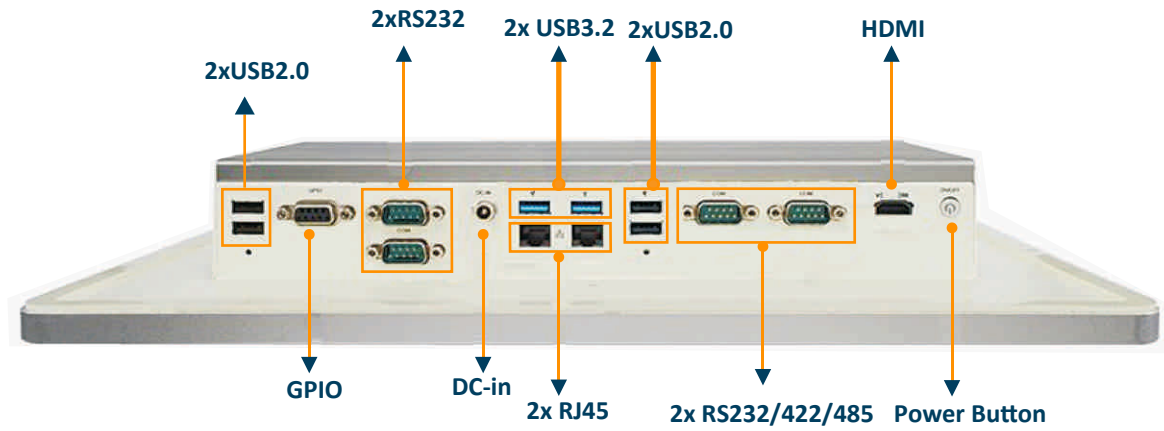
Environment

Operating Temp.	-10°C ~ 60°C
Storage Temp.	-20°C ~ 70°C
Protection	IP65 (Front) NEMA 4 metal front bezel
Shock	15G, 11ms duration
Vibration	5~500Hz/1 Grms

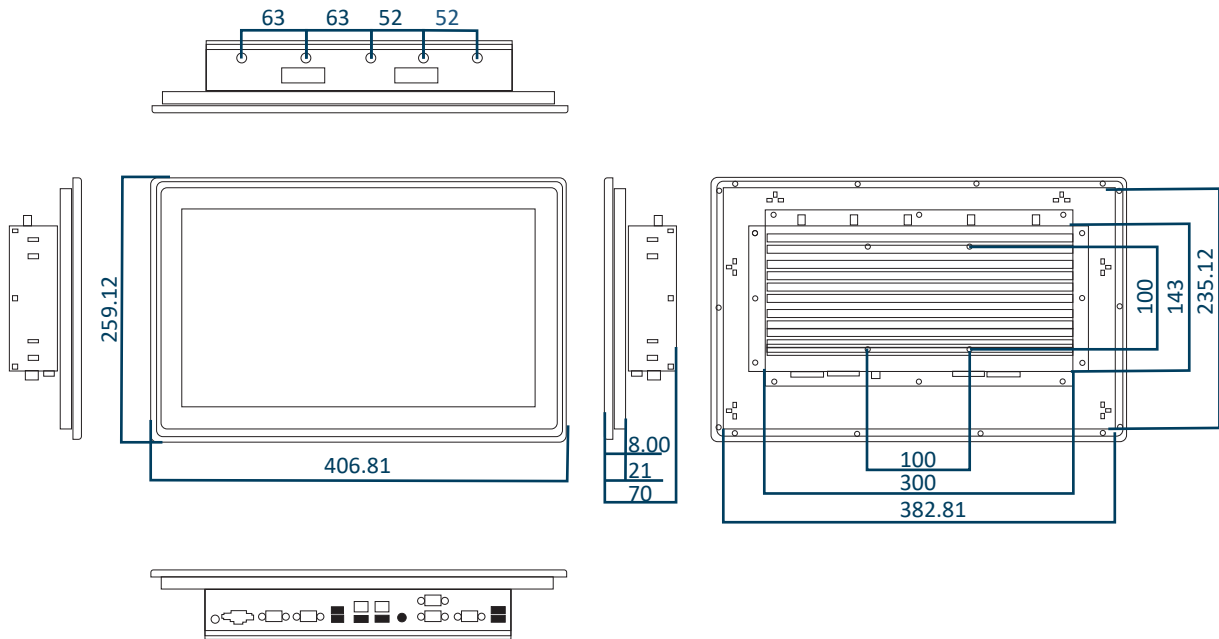
Physical

Construction	Aluminum panel Iron case Silver + white color Spray paint coating requirement
Dimensions (W x H x D) (mm)	391.0 x 239.0 x 59.7

Product I/O View



Mechanical Drawings (Unit = mm)



Ordering Codes

Model Number	Description
VTC-J156C-FP6412	15.6" panel PC, 1920 x 1080 @ 60Hz, Intel® Elkhart Lake J6412 2.0GHz/QC processor, 2 x LAN, Up to 32GB DDR4 SO-DIMM, DC in power adapter

VTC-J156C-FP6412-05-04-2024