

Industrial Fanless 21.5" Panel PC, Intel® 11th Gen. Tiger Lake-U i3/i5 Processors

■ Features

- Onboard Intel® 11th Gen. Core™ Tiger lake U i5/i3 Processors
- 21.5 inches highlight FHD LED panel, front IP66 panel
- Industrial-grade 10 points project capacitive touch screen
- Mini-PCIe/M.2 extension of multiple modules
- 3 x GbE LAN
- Remote ON-OFF
- Grounding protection for product shell
- 1 x 2.5 inches HDD/SSD expansion
- standard VESA and panel mount

■ Specifications

Display

LCD Display	21.5" TFT LCD Panel
Resolution	1920(H) x 1080(V)
Luminance	250 nits
Contrast Ratio	1000:1
LCD Color	16:9M
Backlight	LED Backlight
Backlight Lifetime	30000 Hrs
Viewing Angle	CR ≥ 10, 89° (T)/89° (B) 89° (L)/89° (R)

I/O

USB	4 x USB 3.1
Serial Ports	2 x RS232/422/485 (COM1/2) with DB9 2 x RS232/RS485, 2 x RS232 with 12PIN Phoenix connector
LAN	3 x RJ45
Video Ports	1 x HDMI (up to 4096 x 2304@60Hz)
Remote On-Off	1 x Remote On-Off

Power

Power Input	DC 10~36V 1 x Power Connector (2P Phoenix)
-------------	---

Touch screen

Touch Type	35,000,000 times P-cap Multi-Touch
------------	---------------------------------------

System

CPU	Onboard Intel® 11th Gen Core™ i3-1115G4 3.0G (2 Cores, 6M Cache, up to 4.1GHz) / i5-1135G7 2.4G (4 Cores, 8M Cache, up to 4.2GHz)
LAN Chipset	1 x RJ45 Intel® I226V Gbe (10/100/1000 Mbps) 2 x RJ45 Intel® I210-AT Gbe (10/100/1000 Mbps)
Graphics	Intel® UHD Graphics for 11th Gen, Intel® Processors & Intel® Iris® Xe Graphics
Watchdog Timer	Programmable 255 levels timer interval, from 1~255 sec/min
OS	Windows 10, Linux
Audio Type	1 x Audio(Line-out & Mic-in 2 in 1), ALC888S
Speaker	2 x 4Ω3W speakers

Storage

1 x M.2 2242 SSD slot
1 x DDR4 3200 MHz SO-DIMM, up to 32 GB

Expansion

Expansion	1 x Mini-PCIe (PCIe/USB2.0 signal supported) 1 x M.2 Key-E 2230 slot (WiFi +BT supported) 1 x SIM socket 1 x 8Bit GPIO
-----------	---

Environment

Operating Temperature	-10°C ~ 50°C
Storage Temperature	-40°C ~ 70°C
Humidity	5 ~ 95% (non-condensing)
Random Vibration	5~500Hz, 2Grms operation
Sine Vibration	5~500Hz, 2G Non-operation
Shock	10g 11ms operation, 30g 11ms Non-operation

Certification Information (in Process)

Certification	CE, FCC
----------------------	---------

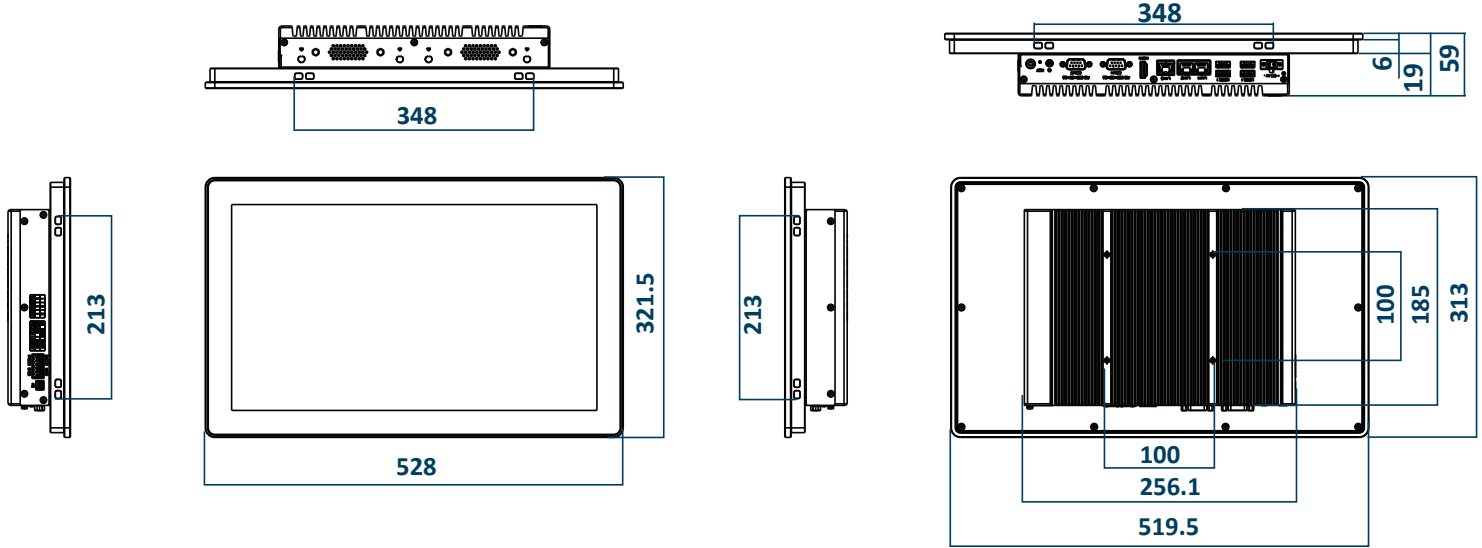
Physical

Front Panel	Aluminum
Heat-Sink	Aluminum
Rear Cover	SECC
Reset button	1 x OS reset
Power button	1 x Power button W/LED
Mounting	Panel Mount, Wall and VESA-mount (100 x 100mm)
Dimensions (W x H x D) (mm)	528.2 x 321.9 x 59
Cutout	521 x 315 mm
Net Weight	7.14 Kg
Ingress Protection	Front Panel IP66

Product View



Mechanical Drawings (Unit = mm)



Ordering Codes

Model Number	Description
VTC-RB11-215C-i3	21.5"(16:9) Panel PC, Intel® 11th Gen Core™ i3-1115G4 3.0G processor, 1x HDMI, 4x USB, 3x LAN, 4x COM, DC10~36V power input
VTC-RB11-215C-i5	21.5"(16:9) Panel PC, Intel® 11th Gen Core™ i5-1135G7 2.4G processor, 1x HDMI, 4x USB, 3x LAN, 4x COM, DC10~36V power input

VTC-RB11-215C-05-04-2024