



Powered by Intel® Elkhart Lake Platform

### Features

- 15.6" Fanless panel PC equipped with Intel® Celeron® J6412 processor
- Anti-glare & anti-UV 10-point PCAP touchscreen, and IP65 compliant front panel
- On-board 8GB memory
- IP2EHL\_XC Expansion Interface
- HDMI 2.0 display output
- Dual 2.5G Ethernet port
- One M.2 M key & one M.2 E key expansion slots
- Support Gloved and Wet Hand Operation
- Newly Designed Panel Mount Kit
- New Graphical BIOS Interface

### Specifications

#### Display

<b>LCD Display</b>	15.6"(16:9)
<b>Resolution</b>	1920 (W) x 1080 (H)
<b>Brightness</b>	450cd/cm <sup>2</sup>
<b>Contrast Ratio</b>	500:1
<b>LCD Color</b>	16.2M
<b>Pixel Pitch (mm)</b>	0.252 x 0.252
<b>Viewing Angle (H-V)</b>	170°/160°
<b>Backlight MTBF</b>	50000
<b>Touchscreen</b>	Multi-point projected capacitive type (anti-UV / anti-glare coating, support gloves) Surface hardness: ≥7H
<b>Touch Controller</b>	Projected capacitive type: EETI 80

#### I/O Connector

<b>Ethernet</b>	2 x 2.5GbE LAN via Intel I225-V
<b>I/O Ports,</b>	1 x HDMI output
<b>Switches and Buttons</b>	2 x RJ-45 2.5GbE
	2 x USB 3.2 Gen 2x1 (10Gb/s)
	2 x USB 2.0
	1 x RS-232/422/485
	1 x RS-232
	1 x 12V-24V power jack
	1 x Power terminal block (2-pin)
	1 x AT/ATX switch
	1 x Power button
	1 x Reset button
	1 x Clear CMOS button
	PPC2-XIO-02-R10:
	2 x USB 2.0
	3 x RS-232 DB9
	1 x M.2 B key 2242/2280 (PCIe Gen3 x 2 + USB 2.0)

#### Power

<b>Power Input</b>	12 V ~ 24 V DC
<b>Power Adapter</b>	60W power adapter

#### System

<b>CPU (SoC)</b>	Intel® Celeron® Processor J6412 1.5M Cache, up to 2.60 GHz / TDP 10W
<b>Memory</b>	Dual-channel 8GB LPDDR4x on-board
<b>Storage</b>	1 x 2.5" HDD/SSD drive bay
<b>Thermal Solution</b>	Fanless
<b>TPM</b>	Intel® Platform Trust Technology
<b>Watchdog Timer</b>	Software Programmable support 1~255 sec. system reset

#### Expansion

<b>Expansion</b>	1 x M.2 2242/2280 B key (PCIe Gen3 x1 + USB 3.0) 1 x M.2 2280 M key (PCIe Gen3 x2)
------------------	---

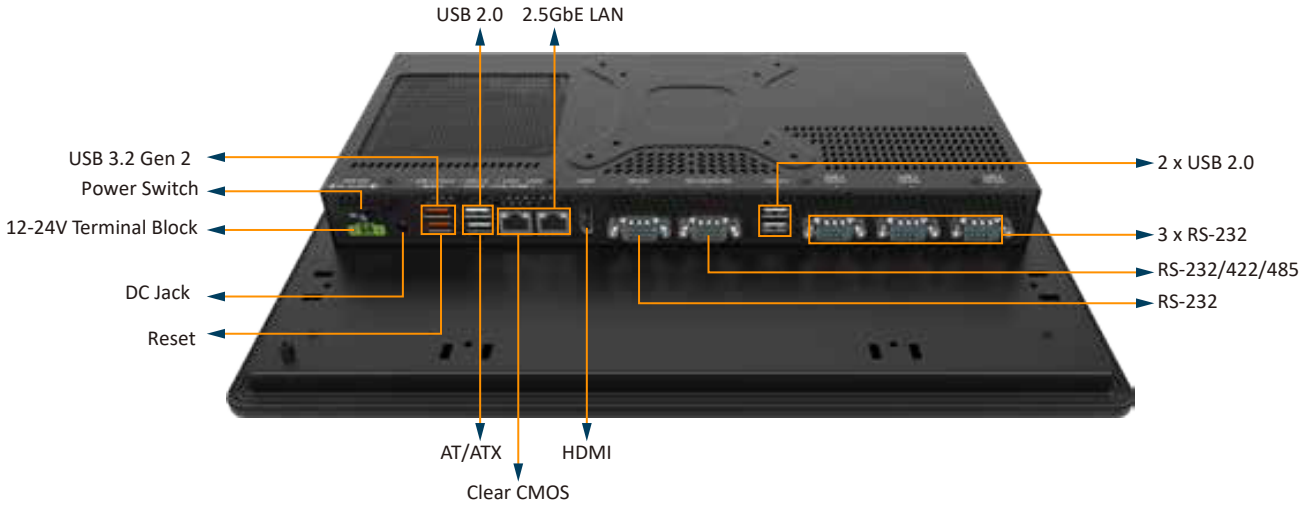
#### Environment

<b>Operating Temperature (with air flow)</b>	-10°C ~ 60°C
<b>Storage Temperature</b>	-20°C ~ 60°C
<b>Humidity</b>	10% ~ 95%, non-condensing
<b>IP Level</b>	IP 65 compliant front panel

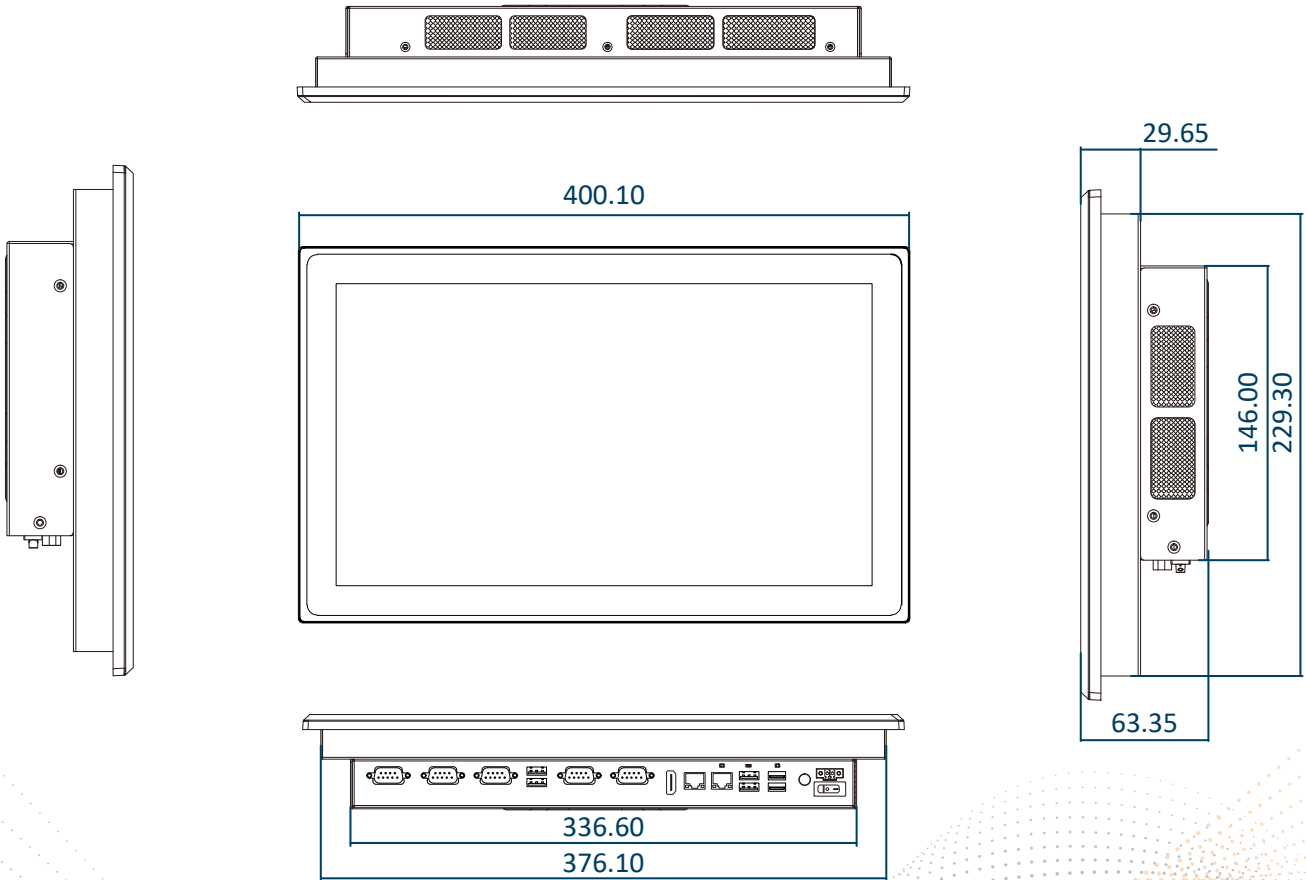
#### Physical

<b>Mounting</b>	VESA 75/100 mm Panel, Wall, Rack, Stand and Arm
<b>Construction Material</b>	Aluminum front cover and sheet metal rear cover
<b>Enclosure Color</b>	Black
<b>Dimensions(W x H x D) (mm)</b>	400.10 x 253.30 x 63.35
<b>Net Weight</b>	3.875kg

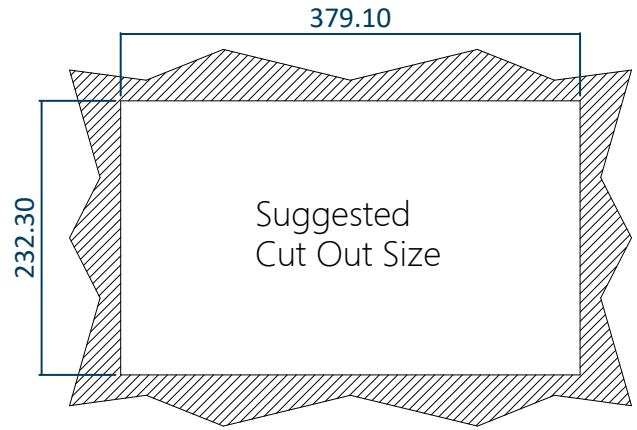
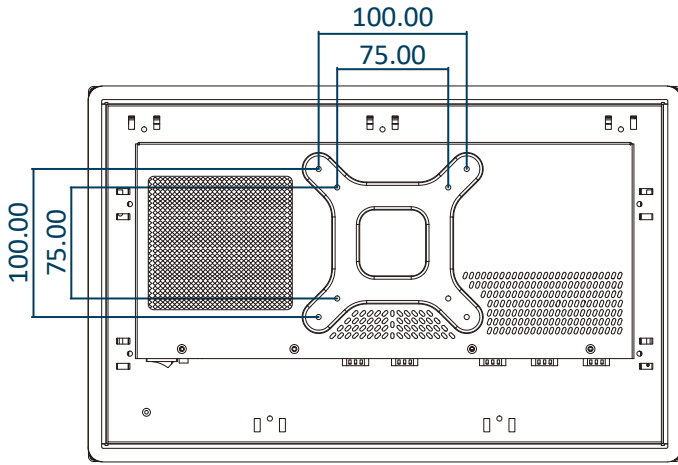
## Product I/O View



## Mechanical Drawings (Unit = mm)



## Mechanical Drawings (Unit = mm)



## Available Models

Model Number	Description
VTC-i2EL-156-TF-8G-R10	15.6" 450 cd/cm <sup>2</sup> 1920x1080 Panel PC with Intel® Celeron® Processor J6412, 8GB LPDDR4x on-board, HDMI output, black, 12-24V DC input, projected capacitive touchscreen with AG, R10