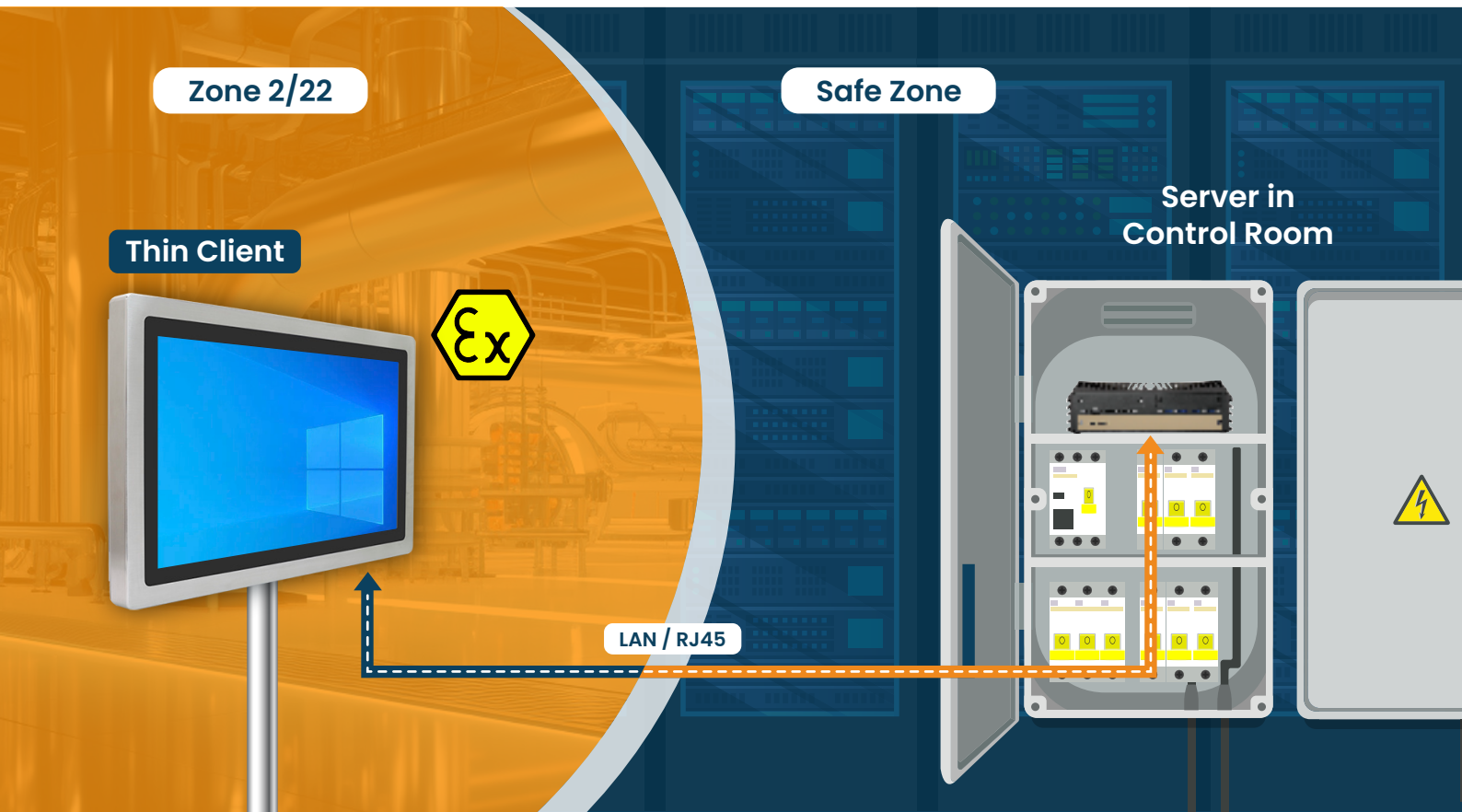


ATEX Zone 2/22 Hazardous area Visualization Terminal



- Thin Client, Web Terminal, MES/ERP Terminal for Hazardous Areas.
- Easily establish a connection to the Server via RJ 45 Ethernet for distances of up to 100 meters, or through the Factory LAN.
- The server can be located in a safe area.
- Fully Enclosed IP67 structure with waterproof connectors ensures hassle-free installation.
- There is no requirement to construct an enclosed cabinet, set up a cooling system, or install extra wiring.
- VESA, Panel, or Wall mounting options available for easy installation.



Thin client solution from the Control Room to Application in Hazardous Zone 2/22



Explosion Proof IP67 Stainless Steel Terminal with PCAP touch



Operating Temperature -20°C ~ 60°C
Storage Temperature -30°C ~ 70°C



Application Oriented Firmware Options



21.5" Explosion Proof IP67 SS Industrial Terminal with PCAP touch

Features

- 21.5" TFT-LCD Full HD 1920x1080, 300cdm2 3000:1 contrast
- Projected Capacitive Touch screen
- SS 316 Stainless Steel Total IP67 Grade with M12 Waterproof Connector
- Wide range DC 9~36V Power Input
- Panel Mount & VESA Mount
- Full Flat Bezel and Fanless Design
- Operating Temperature -20°C~60°C
- ATEX Zone2 / Zone22 certified

Specifications

Display

LCD Display	21.5" TFT-LCD
Resolution	1920 x 1080
Brightness	300cd/cm ²
Contrast Ratio	3000:1
LCD Color	16.7M
Viewing Angle (H-V)	178(H) /178(V)
Backlight MTBF	50000
Touchscreen	Projected Capacitive Touch
Interface	USB
Light Transmission(%)	90%

I/O Connector

USB	1 x M12 8-pin for 2 x USB 2.0 with waterproof cover and chain
Serial / Parallel	1 x M12 8-pin for COM1, RS-232/422/485, default RS-232, with waterproof cover and chain
LAN	2 x M12 8-pin for LAN with waterproof cover and chain
Graph	1 x M12 8-pin for VGA with waterproof cover and chain
Power	1 x M12 3-pin for DC power connector with waterproof cover and chain

Power

Power Input	DC 9 ~ 36V
Power Consumption	35W

Expansion

Expansion	1 x Mini-PCle (full size)
-----------	---------------------------

System

CPU	Onboard Intel Celeron N2930 Processor (2M Cache,1.83GHz)
System Chipset	SoC
Memory	Onboard 8GB DDR3L 1333MHz
Storage	1 x 2.5" HDD or SSD 128GB 1 x mSATA space
Movable Device	1 x Internal SD Card
Operating System	Linux Kernel 5.x, Windows 10 IoT ENT LTSC

Environment

Operating Temperature	-20°C ~ 60°C
Storage Temperature	-30°C ~ 70°C
Humidity	10% to 95% @ 40°C, non-condensing
IP Rating	Total IP67
Safety	CSA C22.2 No.61010

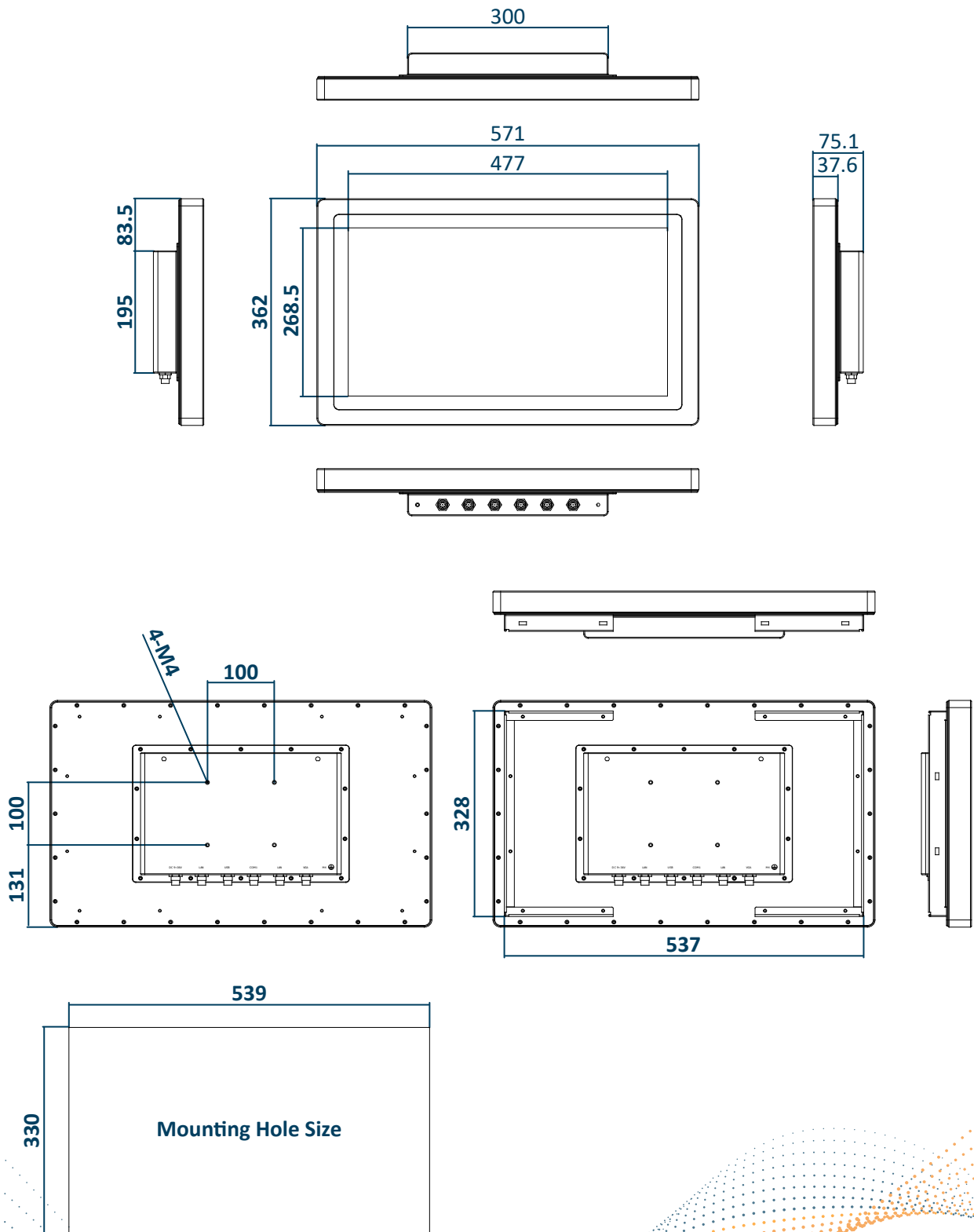
Certification Information (in Process)

Certification	CE / FCC Class A ATEX / Zone2 Ex ec ic IIC T4 Gc ATEX / Zone22 Ex tc IIIC T135°C Dc
---------------	---

Physical

Mounting	VESA mount 100 x 100, Panel mount (option)
Construction Material	316 stainless steel chassis
Dimensions(W x H x D) (mm)	571 x 362 x 75.1
Net Weight	12.6 kg

Mechanical Drawings (Unit = mm)



Product View



Ordering Codes

Model Number	Description
XPC-SS20215AP-WIN	<p>21.5" FHD IP67, Intel Celeron N2930 1.8G CPU fan less panel PC, 8GB DDR3L memory on board, 1 x 128GB 2.5" MLC SSD, Projected capacitive touch, DC9~36V power input with power adapter, 316 stainless steel Explosion Proof enclosure, support VESA Mount, WT-20~60, Windows 10 IoT LTSC OS</p> <p>Accessory : 1 x M12 for 2 x USB2.0 Cable, 2 x M12 LAN cable, 1 x M12 COM Cable, 1 x VGA Cable, 1 x 3pin power input cable (w/o Adapter)</p>
XPC-SS20215AP-TC	<p>21.5" FHD IP67, Intel Celeron N2930 1.8G CPU fan less panel PC, 8GB DDR3L memory on board, 1 x 128GB 2.5" MLC SSD, Projected capacitive touch, DC9~36V power input with power adapter, 316 stainless steel Explosion Proof enclosure, support VESA Mount, WT-20~60, Thin client / RDP client Customised Firmware</p> <p>Accessory : 1 x M12 for 2 x USB2.0 Cable, 2 x M12 LAN cable, 1 x M12 COM Cable, 1 x VGA Cable, 1 x 3pin power input cable (w/o Adapter)</p>
XPC-SS20215AP-LX	<p>21.5" FHD IP67, Intel Celeron N2930 1.8G CPU fan less panel PC, 8GB DDR3L memory on board, 1 x 128GB 2.5" MLC SSD, Projected capacitive touch, DC9~36V power input with power adapter, 316 stainless steel Explosion Proof enclosure, support VESA Mount, WT-20~60, Linux Ubuntu 20.04 LTSC OS</p> <p>Accessory : 1 x M12 for 2 x USB2.0 Cable, 2 x M12 LAN cable, 1 x M12 COM Cable, 1 x VGA Cable, 1 x 3pin power input cable (w/o Adapter)</p>
XPC-SS20215AP-WP	<p>21.5" FHD IP67, Intel Celeron N2930 1.8G CPU fan less panel PC, 8GB DDR3L memory on board, 1 x 128GB 2.5" MLC SSD, Projected capacitive touch, DC9~36V power input with power adapter, 316 stainless steel Explosion Proof enclosure, support VESA Mount, WT-20~60, Web panel (client) Customised Firmware</p> <p>Accessory : 1 x M12 for 2 x USB2.0 Cable, 2 x M12 LAN cable, 1 x M12 COM Cable, 1 x VGA Cable, 1 x 3pin power input cable (w/o Adapter)</p>

XPC-SS20215AP-04-04-2024