

Embedded Box PC with onboard high-end AMD Ryzen 5000 series processor, 4 x LAN, 1 x HDMI, 1 x DP port, 1 x type C display.

### Features

- Onboard high-end AMD Ryzen 5000 series 7nm Processor with powerful computing performance
- TPM2.0, ESXI, PVE, Watchdog, Auto power on, RTC, PXE boot, Wake-on-LAN etc
- Onboard AMD Radeon™ VEGA Graphics with fast graphics processing capabilities for gaming and 3D design
- 2 x SODIMM DDR4 RAM slot up to 64GB, large capacity and high frequency memory
- HDMI2.0, DP1.4 and Type-C for 3 x 4K@60Hz video display synchronously and asynchronously
- 2 x M.2 2280 SATA/PCIE/NVMe SSD, 1 x 2.5" SATA HDD/SSD
- 4 x Intel i226-V 2.5G RJ45 LAN
- Onboard a powerful copper fan for heat dissipation, keep the computer stable working 7 x 24 hours



### Specifications

#### Display

Graphics	AMD Radeon Graphics
Display Connection	1 x HDMI2.0 1 x DP1.4 1 x Type-C (full feature) 3x4K@60Hz

#### I/O

LAN	4 x Intel i226-V 2.5G
USB Ports	2 x USB3.1 2 x USB2.0
Other	1 x TF Slot 1 x CMOS clear key 2 x WiFi antenna hole

#### Power

Switch	1 x power On/Off Switch
Power	External power 12V-19V, Recommend 12V 8A

#### Expansion

Expansion Slot	1 x CPU FAN (4pin 5V Power supply with temperature control)
GPIO	1 x 10pin GPIO Interface (four in and four out)
Hard disk socket	2 x 12pin hard disk socket

#### System

CPU	AMD Ryzen 5 5500U /Ryzen 7 5800U
Memory	2 x DDR4 SODIMM non-ecc RAM slot, 3200MHz.
Storage	1 x M.2 2280 NVME SSD, 1 x SATA 3.0, support 2.5 inch HDD/SSD
OS Support	Windows,10,Server2012/EXSI/Ikuai/Mikrotik/ Openwrt/Ubuntu/Centos/Pfsense/Lede/Liunx
Function	TPM2.0, ESXI, PVE, Watchdog, Auto power on, RTC, PXE boot, Wake-on-LAN etc

#### Environment

Operating Temp.	-15°C ~ 75°C
Operating Humidity	0%~95% ( Noncondensing state )

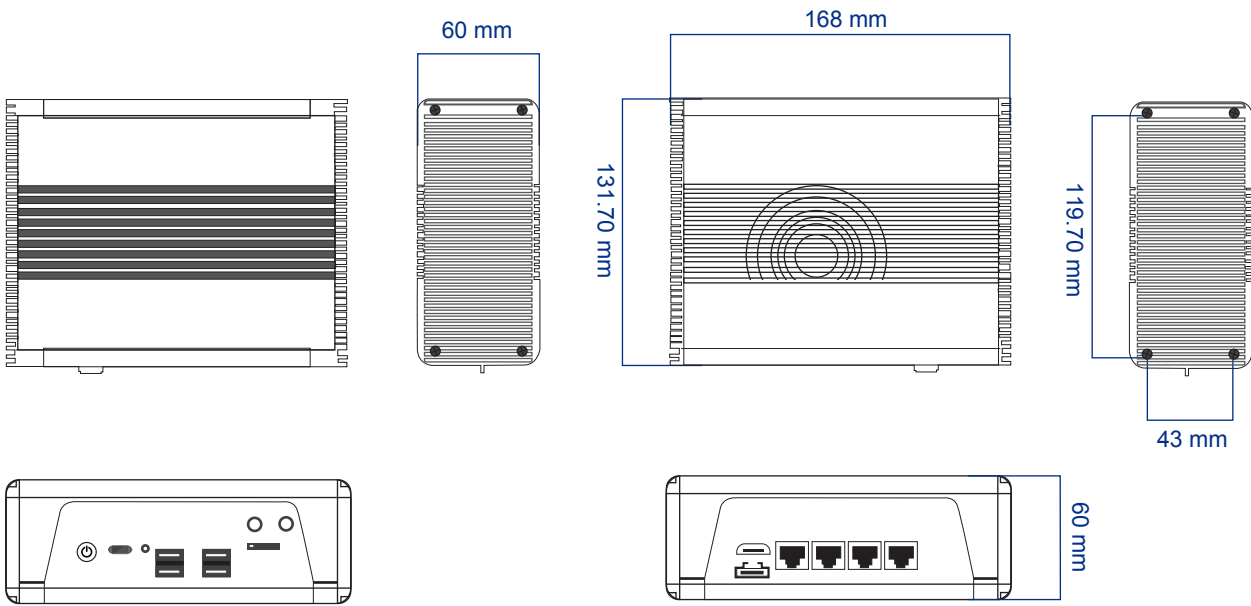
#### Physical

Construction material	Aluminum 1 x 2.5 Hard drive position7-9MM height
Cooling Mode	Copper tube turbo fan for active cooling
Packing Contains	OPS, a power cord
Dimension (W x H x D) (mm)	168 x 60 x 131 mm

## Product I/O View



## Mechanical Drawings (Unit = mm )



## Ordering Codes

Model Number	Description
CBX-D540-R7/8GB/500GB/Linux	with Ryzen 7-5800U, 8GB RAM, 500GB SSD, Liunx
CBX-D540-R5/8GB/500GB/Linux	with Ryzen 5-5500U, 8GB RAM, 500GB SSD,Liunx

CBX-D540-Rx-09-04-2025