

### Industrial Fanless PC Intel® Tigerlake i3, i5 Processor



## Features

- Intel® Tiger lake i3-1115G4 3.0G (8M Cache, up to 4.1GHz)
- Intel® Tiger lake i5-1135G7 2.4G (8M Cache, up to 4.2GHz)
- 1 x SDRAM DDR4 3200 MHz (max. 32G)
- 4 x Gigabit LAN
- 3 x DP/HDMI independent video output

## Specifications

### System

<b>CPU</b>	Intel®Tiger lake i3-1115G4 3.0GHz / Intel®Tiger lake i5-1135G7 2.4GHz
<b>Memory</b>	1 x SDRAM DDR4 3200 MHz (max. 32G) 4GB WT DDR4 SO-DIMM pre-installed*(CTOS)
<b>Graphics</b>	Intel®Iris®Xe graphics, up to 96 graphics execution units (EU)
<b>LAN chipset</b>	1 x RJ45 Intel i219LM for 10/100/1000 Mbps 3 x RJ45 Intel i210 for 10/100/1000 Mbps (Colay 1211GbE)
<b>Watchdog Timer</b>	Programmable 255 levels timer interval, from 1~255 sec/min

### I/O

<b>Serial Ports</b>	4 x RS232/RS422/RS485 (default RS-232) with auto flow control
<b>USB Ports</b>	3 x USB3.2 Gen. 2 3 x USB2.0
<b>LAN</b>	4 x RJ45
<b>Video Ports</b>	2 x HDMI up to 4K x 2K x 24bpp @ 24 Hz 1 x DP up to 4096 x 2304 x 36bpp @ 60 Hz
<b>Remote</b>	1 x SW

### Power

<b>Power Input</b>	10-36VDC, 2-pin phoenix connector
--------------------	-----------------------------------

### Audio

<b>Type</b>	1 x Audio (Line-out & Mic-in) Chip 8885/897
-------------	---

### Software Support

<b>OS Information</b>	Windows 10, Ubuntu 20.04
-----------------------	--------------------------

### Storage

<b>Device</b>	1 x SATA 3.1 (2.5" HD) 1 x M.2 2242 (SATA3.0) 128GB M.2 WT SSD pre-installed*(CTOS)
---------------	---

### Expansion

<b>Expansion Slot</b>	1 x E-Key M.2 2230 slot (PCIe X1 / USB2.0 signal) 1 x mPCIe (PCIe/ USB2.0/USB 3.0 signal)
<b>SIM Card</b>	1 x SIM Card socket for 3G/4G module
<b>USB 2.0 Ports</b>	2 x USB2.0 by Pinhead
<b>COM Ports</b>	2 x COM232 by Pinhead
<b>GPIO</b>	1 x 8 bit programmable GPIO pin header(3.3 / 5V Jump adjustable)

### Environment

<b>Operating Temp.</b>	-20°C ~ 60°C
<b>Storage Temp.</b>	-40°C ~ 85°C
<b>Operating Humidity</b>	5 ~ 95% (non-condensing)
<b>Random Vibration</b>	5~500Hz, 2Grms, operation
<b>Shock</b>	Operation: 10G@11ms Non-operation: 30G@11ms

### Certification Information ( in process )

CE, FCC

### Physical

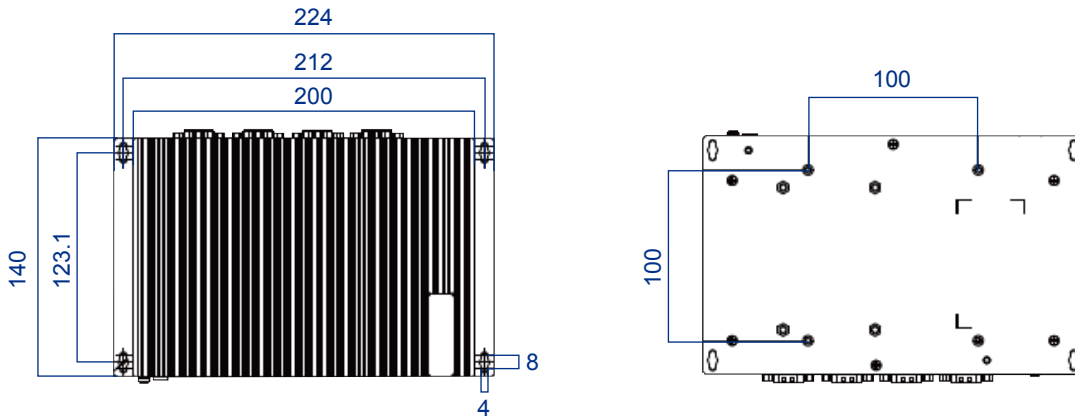
<b>Button</b>	1 x Power button W/Led
<b>Chassis</b>	Aluminum Alloy
<b>Mounting</b>	Desk-Mount, Wall-Mount, DIN-Rail (optional) VESA-mount (75 x 75mm, 100 x 100mm optional)
<b>Dimension (W x H x D) (mm)</b>	224 x 49.2 x 140
<b>Weight</b>	1.6kg

\*CTOS means Configure-to-Order Service.

## Product view



## Mechanical Drawings (Unit = mm)



## Ordering Codes

Model Number	Description
CBX-RB11244FL/i3	Fanless System with, Intel Tiger lake i3-1115G4, 4 x LAN, 4 x COM (up to 6), 6 x USB, 2 x HDMI, 1 x DP, DC 10-36V power input
CBX-RB11244FL/i5	Fanless System with, Intel Tiger lake i5-1135G7, 4 x LAN, 4 x COM (up to 6), 6 x USB, 2 x HDMI, 1 x DP, DC 10-36V power input

CBX-RB11244FL/i5-09-04-2025