

Industrial Fanless PC Intel® Alder Lake-N Core-i3



■ Features

- Intel® Alder Lake-N Core i3-N305 Processor (8 Cores, Up to 3.8GHz)
- 1 x SDRAM DDR4 3200 MHz (max. 16G)
- 3 x 2.5GbE LAN ports
- 4 x COM (RS232/485/422) ports
- DP, HDMI display Output
- M.2 SSD, mSATA, MiniPCIE Wifi, MiniPCIE, 3052 5G

■ Specifications

System

CPU	Intel® Alder Lake-N Core™ i3-N305 Processor (8 Cores, Up to 3.8GHz)
Memory	1 x SDRAM DDR4 3200 MHz SO-DIMM slot (Max. 16G)
Graphics	Intel® UHD Graphics
LAN chipset	1 x Intel I210AT GbE controller 3 x I226-V 2.5GbE controllers
Watchdog Timer	Programmable 255 levels timer interval, from 1~255 sec/min

I/O

Serial Ports	4 x RS232/422/485 (default RS-232) with auto flow control
USB Ports	2 x USB3.2 Gen. 2 4 x USB2.0
LAN	4 x RJ45
Video Ports	1 x HDMI, up to 4K x 2K x 24bpp@24Hz 1 x DP, up to 4096 x 2304 x 36bpp@60Hz
Remote	1 x SW

Power

Power Input	12-36V DC, 2-pin phoenix connector
-------------	------------------------------------

Audio

Type	1 x Audio(Line-out & Mic-in) (Chipset 888S/897)
------	--

Software Support

OS Information	Windows 10/11, Ubuntu 22.04
----------------	-----------------------------

Storage

Device	1 x M.2 2242 (SATA 3.0) 1 x SATA 3.1 (2.5" drive bay)
--------	--

Expansion

Expansion Slot	1 x mPCIe (PCIe/ USB2.0 signal supported) 1 x M.2 3052 socket for 5G module (USB3.0 single supported)
SIM Card	1 x SIM Card socket for 3G/4G module 1 x SIM Card socket for 5G module
USB 2.0 Ports	2 x USB2.0 by Pinhead
COM Ports	2 x RS232 by Pinhead
GPIO	1 x 8bit programmable GPIO pin header (3.3V / 5V Jump adjustable)

Environment

Operating Temp.	-20°C ~ 60°C
Storage Temp.	-40°C ~ 85°C
Operating Humidity	5 ~ 95% (non-condensing)
Random Vibration	5~500Hz, 2Grms, operation
Shock	Operation: 10G@11ms Non-operation: 30G@11ms

Certification Information (in process)

CE, FCC

Physical

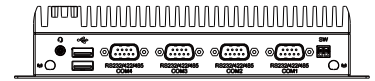
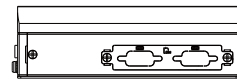
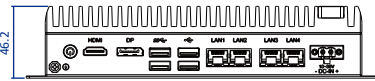
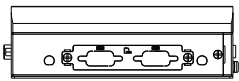
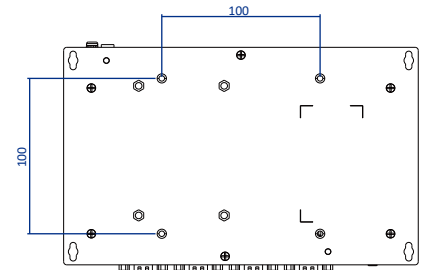
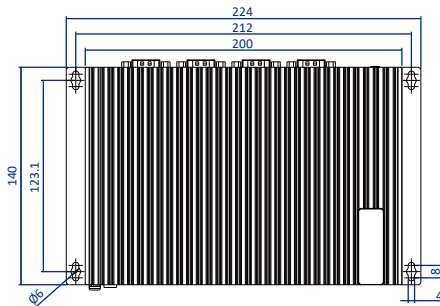
Button	1 x Power button (with LED)
Chassis	Aluminum Alloy
Mounting	Desk-Mount, Wall-Mount, VESA-Mount (75 x 75mm, 100 x 100mm optional)
Dimension (W x H x D) (mm)	224 x 46.2 x 140
Weight	1.6kg

*CTOS means Configure-to-Order Service.

Product view



Mechanical Drawings (Unit = mm)



Ordering Codes

Model Number	Description
CBX-RB12-244-N305FL	Fanless System with Intel Core™ i3-N305 Processor, 4 x LAN, 4 x COM (up to 6), 6 x USB, 1 x HDMI, 1 x DP, DC 12-36V power input

CBX-RB12-244-N305FL-09-04-2025